



variably applicable

multi-purpose shredder

Our multi-purpose shredders are characterised above all by their flexible application possibilities with regards to volume reduction, conditioning and material separation. They convince by high throughput, quality, reliability and economy. Processable materials are besides wood (waste wood, pallets incl. metal parts) electronic scrap, cables, organic waste, market waste, glass fibre wallpaper and others.



shredded wood



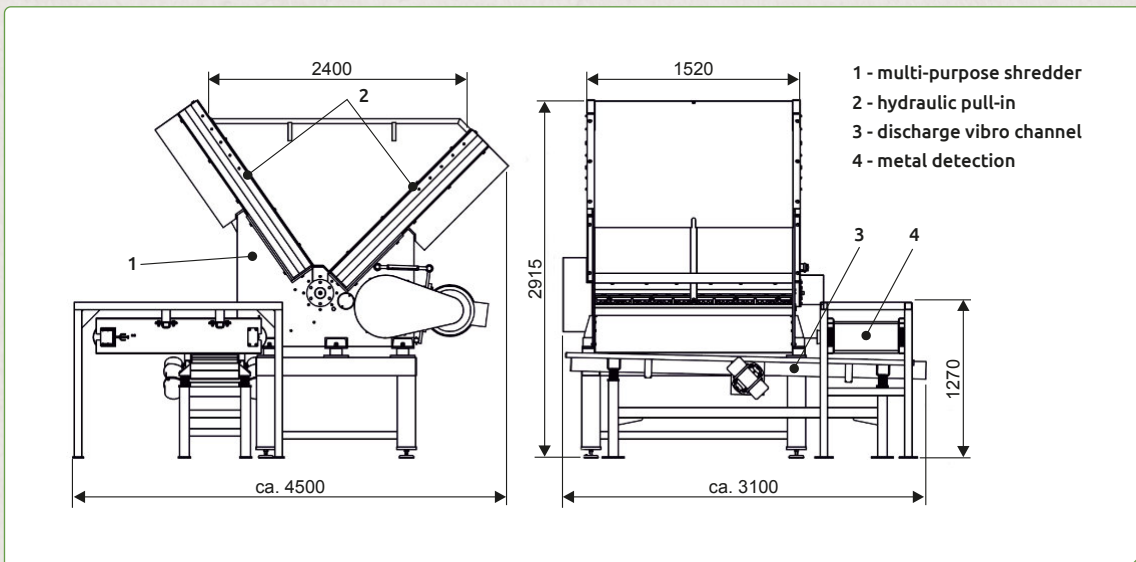
shredded copper cable

throughput of 0,3 - 0,6 t/h

(depending on bulk density, dry matter content, wood quality, piece size)

throughput of 0,5 - 0,7 t/h

(depending on type of material, degree of isolation, cable diameter etc.)





setup and function

The large hopper is suitable for pallets and other packaging materials. Filling can be done optionally with a conveyor belt, screw, forklift or manually. A hydraulic pressing device leads the material to the cutting area of the rotor. It is controlled automatically load-dependent and can be regulated at the control cabinet. The rotor is made of quenched and tempered steel. The grounded cutting plates are located in milled-in knife pockets on special knife carriers. This system guarantees high throughput capacity with low energy consumption, optimum discharge of the shredded material and easy maintenance. The semi-circular sieve mounted in front of the rotor determines the size of the final fineness. The sieve is easily accessible and replaceable. The low speed guarantees low wear and long service life of the change tools. After shredding impurities will be removed.



our multi-purpose shredder is available in different sizes

technical data	MZZ 15	MZZ 22
measurements (LxWxH)	2400 x 1500 x 1800 mm	2890 x 2130 x 2920 mm
weight	2200 kg	3500 kg
motor capacity	15 kW	22 kW
hopper size	950 x 1650 mm	1500 x 2000 mm
throughput wood	ca. 300 - 600 kg/h	ca. 500 - 1000 kg/h

